

HF3.5M-2

Image Size : $\frac{1}{2}$ $\frac{1}{3}$ $\frac{1}{4}$

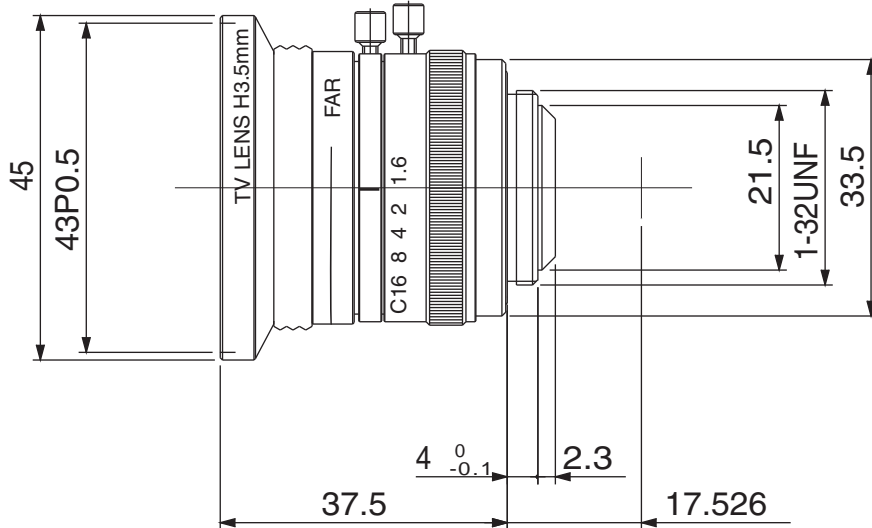
【SPECIFICATIONS】

Focal Length :	3.5mm	Operation :	Focus : Manual Iris : Manual
Maximum Relative Aperture :	1:1.6	Operating Temperature :	-10 ~ +50
Iris :	F1.6 ~ Close	Mount :	C-Mount
Angle of View :	84.9 × 68.9 deg	Filter Size :	43mm P0.75
Image Size :	6.4 × 4.8mm (8mm)	Size :	45 × 37.5mm
Minimum Object Distance :	0.1mm (From Front Vertex)	Weight :	Approx. 90g
Optical Back Focal Distance :	11.45mm (In Air)		
Flange Back :	17.526mm		

【COMPOSITION】

- Lens 1
- Lens Cap 1
- Dust Cap 1

【DIMENSIONS】



Unit:mm