

# HF35M

Image Size :  $\frac{1}{2}$   $\frac{1}{3}$   $\frac{1}{4}$

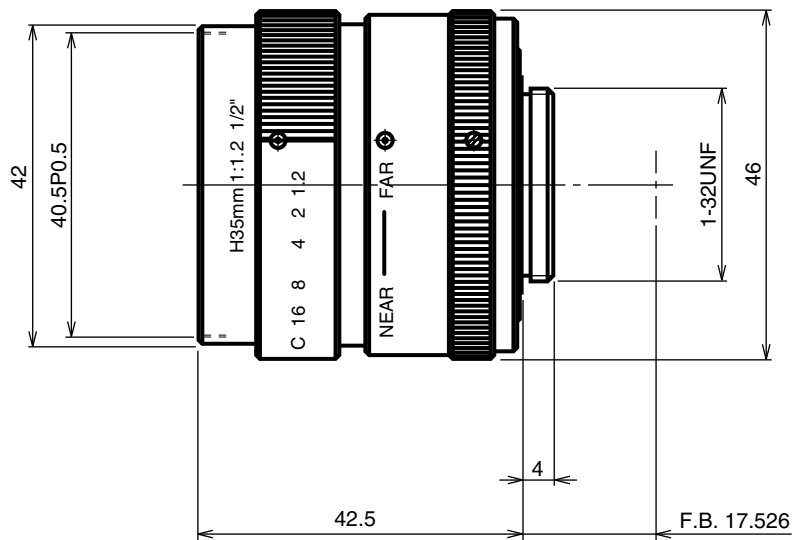
## 【SPECIFICATIONS】

Focal Length :	35mm	Operation :	Focus : Manual
Maximum Relative Aperture :	1:1.2		Iris : Manual
Iris :	F1.2 ~ Close	Operating Temperature :	-10 ~ +50
Angle of View :	10.4 x 7.8 deg	Mount :	C-Mount
Image Size :	6.4 x 4.8mm ( 8mm )	Filter Size :	40.5mm P0.5
Minimum Object Distance :	1.0mm ( From Front Vertex )	Size :	46 x 42.5mm
Optical Back Focal Distance :	14.01mm ( In Air )	Weight :	Approx. 145g
Flange Back :	17.526mm		

## 【COMPOSITION】

- Lens . . . . . 1
- Lens Cap . . . . . 1
- Dust Cap . . . . . 1

## 【DIMENSIONS】



Unit:mm