

# HZ8551AI

**【SPECIFICATIONS】** 6X Vari Zoom Lens

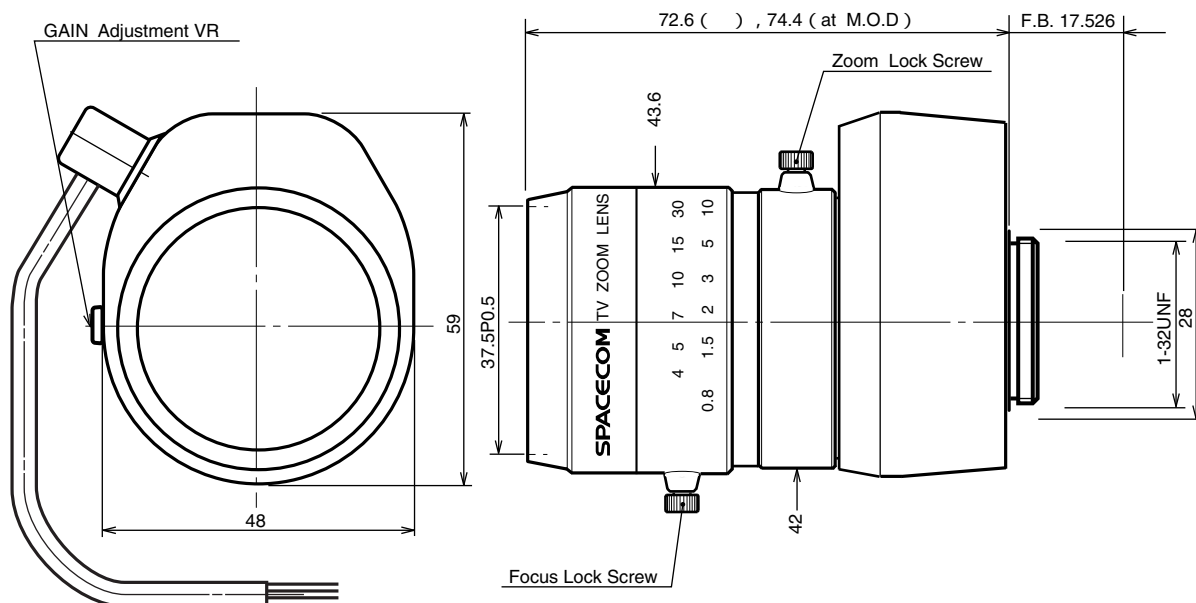
Image Size :  $\text{\textcircled{1/2}}$   $\text{\textcircled{1/3}}$   $\text{\textcircled{1/4}}$

Focal Length :	8.5 ~ 51mm	Photometry Range :	Approx. 40 ~ 70% Variable to Vp-p
Maximum Relative Aperture :	1:1.6	Input Impedance :	High Impedance
Iris :	F1.6 ~ Approx .360 (With ND Spot Filter )	Operation :	Zoom : Manual Focus : Manual Iris : EE(DC+8 to 16V : Max40mA)
Angle of View :	41.3 × 31.5 deg. at 8.5mm 7.2 × 5.4 deg. at 51mm	EE Mechanism :	The built-in EE Amp amplifies the difference between the video signal from the camera and the preset Iris signal level. It causes the Iris to change size.
Image Size :	6.4 × 4.8mm ( 8mm )	EE Accuracy :	With Input Video Signal 0.7Vp-p Within ± 10% of Mean Value
Minimum Object Distance :	0.8m (From Front Vertex )	Operating Temperature :	-10 ~ +50
Optical Back Focal Distance :	15.89mm ( In Air )	Mount :	C-Mount (Adjustable Lens Position )
Flange Back :	17.526mm	Size, Weight :	43.6 × 59 × 72.6mm , Approx .140 g
Input Signal :	Composite Video Signal , Video Signal		
Sensitivity Adjustment :	0.5 ~ 1.0Vp-p(Image Signal)		

**【COMPOSITION】**

- Lens . . . . . 1
- Lens Cap . . . . . 1
- Dust Cap . . . . . 1

**【DIMENSIONS】**



Unit:mm

**【CIRCUIT DIAGRAM】**

