

JF16M-2

【SPECIFICATIONS】

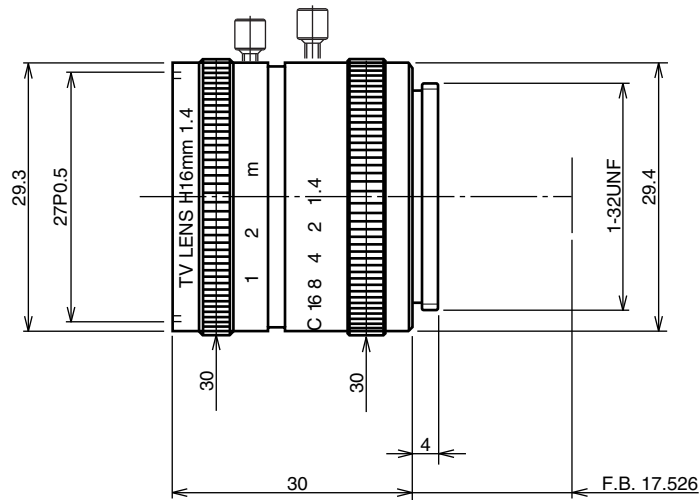
Image Size : $\frac{2}{3}$ $\frac{1}{2}$ $\frac{1}{3}$ $\frac{1}{4}$

Focal Length :	16mm	Operation :	Focus : Manual Iris : Manual
Maximum Relative Aperture :	1:1.4	Operating Temperature :	-10 ~ +50
Iris :	F1.4 ~ Close	Mount :	C-Mount
Angle of View :	30.8 × 23.3 deg	Filter Size :	27mm P0.5
Image Size :	8.8 × 6.6mm (11mm)	Size :	29.3 × 30mm
Minimum Object Distance :	0.4mm (From Front Vertex)	Weight :	Approx. 45g
Optical Back Focal Distance :	14.20mm (In Air)		
Flange Back :	17.526mm		

【COMPOSITION】

- Lens 1
- Lens Cap 1
- Dust Cap 1

【DIMENSIONS】



Unit:mm