

JF17095M

【SPECIFICATIONS】 High-Speed megapixel-Lens F0.95

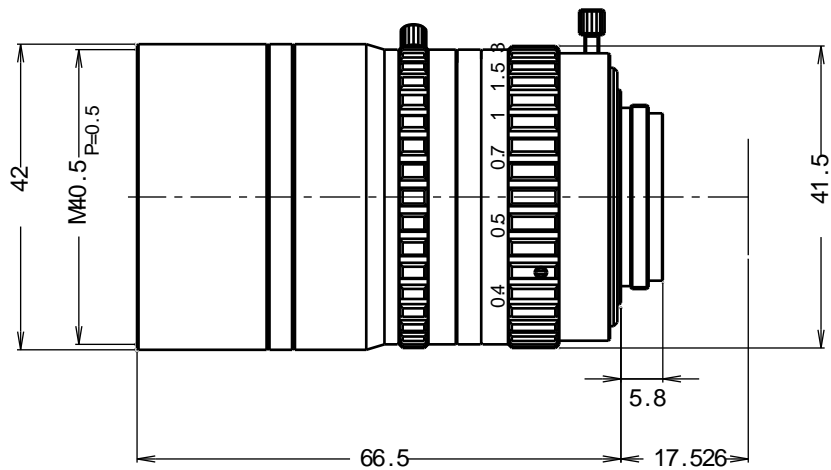
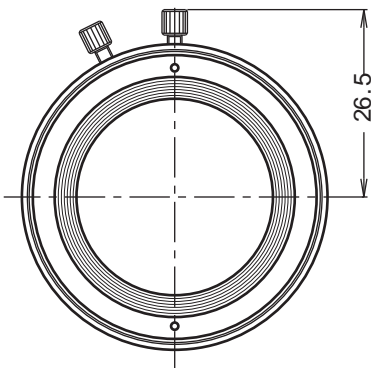
Image Size : $\frac{2}{3}$

Focal Length :	17mm	Optical Back Focal Distance :	13.02mm (In Air)
Maximum Relative Aperture :	1:0.95	Flange Back :	17.526mm
Iris :	F0.95 ~ 16	Operation :	Focus : Manual Iris : Manual
Angle of View :	30.4 x 22.6 deg	Operating Temperature :	-10 ~ +50
Image Size :	8.8 x 6.6mm (11mm)	Mount :	C-Mount
Minimum Object Distance :	0.42mm (From Front Vertex)	Filter Size :	40.5mm P0.5
Resolution :	5 μ m (at center) 8.4 μ m (at corner)	Size :	42 x 66.5mm
Distorsion :	-1.7%	Weight :	Approx. 162g

【COMPOSITION】

- Lens 1
- Lens Cap 1
- Dust Cap 1

【DIMENSIONS】



Unit:mm