

JHF12M-5MP SWIR

【SPECIFICATIONS】 Applicable Fixed Lens to InGaAs Camera(900~1700nm)

Image Size: 2/3

Focal Length : 12mm
 Maximum Relative Aperture : 1:1.8
 Iris : F1.8~22
 Angle of View : 40.3 × 30.8°
 Image Size : 8.8 × 6.6mm (φ 11mm)
 Minimum Object Distance : 0.15m (From Front Vertex)
 Resolution : Equivalent to VGA at 900~1700
 Optical Distortion : Max -0.98% (at near)
 -0.37% (at far)
 TV Distortion : -0.22% (at near)
 0.10% (at far)

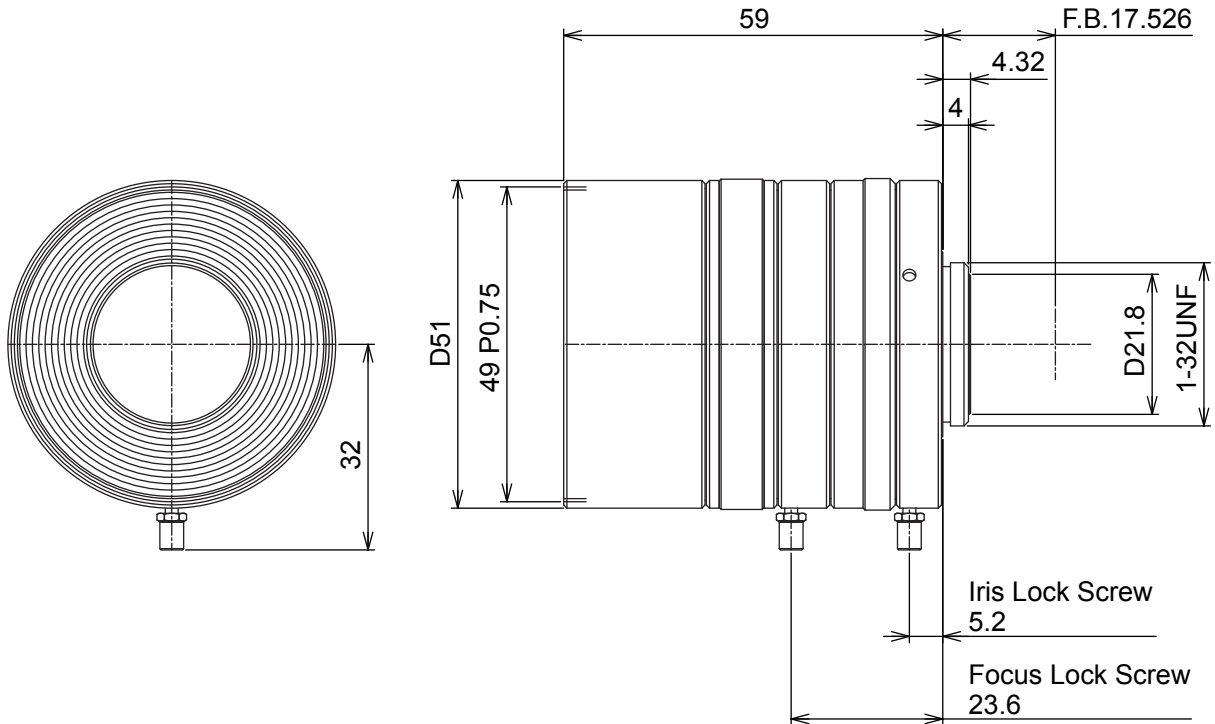
Optical Back Focal Distance : 14.00mm(In Air)
 Flange Back : 17.526mm
 Operation : Focus : Manual
 Iris : Manual
 Operating Temperature : -10~+50°C
 Mount : C-Mount(Adjustable Lens Position)
 Filter Size : 49mm P0.75
 Size : φ 51 × 59mm
 Weight : Approx.200 g

【COMPOSITION】

- Lens 1
- Lens Cap 1
- Dust Cap 1

【DIMENSIONS】

| Wave(μ m) | Frang Back(mm) |
|-----------|----------------|
| 0.9 | 17.628 |
| 1.1 | 17.791 |
| 1.3 | 18.015 |
| 1.5 | 18.305 |
| 1.7 | 18.667 |



Unit:mm