

JHF16M-5MP SWIR

[SPECIFICATIONS] Applicable Fixed Lens to InGaAs Camera(900~1700)

Image Size: 2/3

Focal Length : 16mm
 Maximum Relative Aperture : 1:1.4
 Iris : F1.4~22
 Angle of View : 30.8 × 23.3°
 Image Size : 8.8 × 6.6mm (φ 11mm)
 Minimum Object Distance : 0.2m (From Front Vertex)
 Resolution : Equivalent to VGA at 900~1700
 Optical Distortion : Max-0.17% (at near)
 0.34% (at far)
 TV Distortion : -0.01% (at near)
 0.17% (at far)

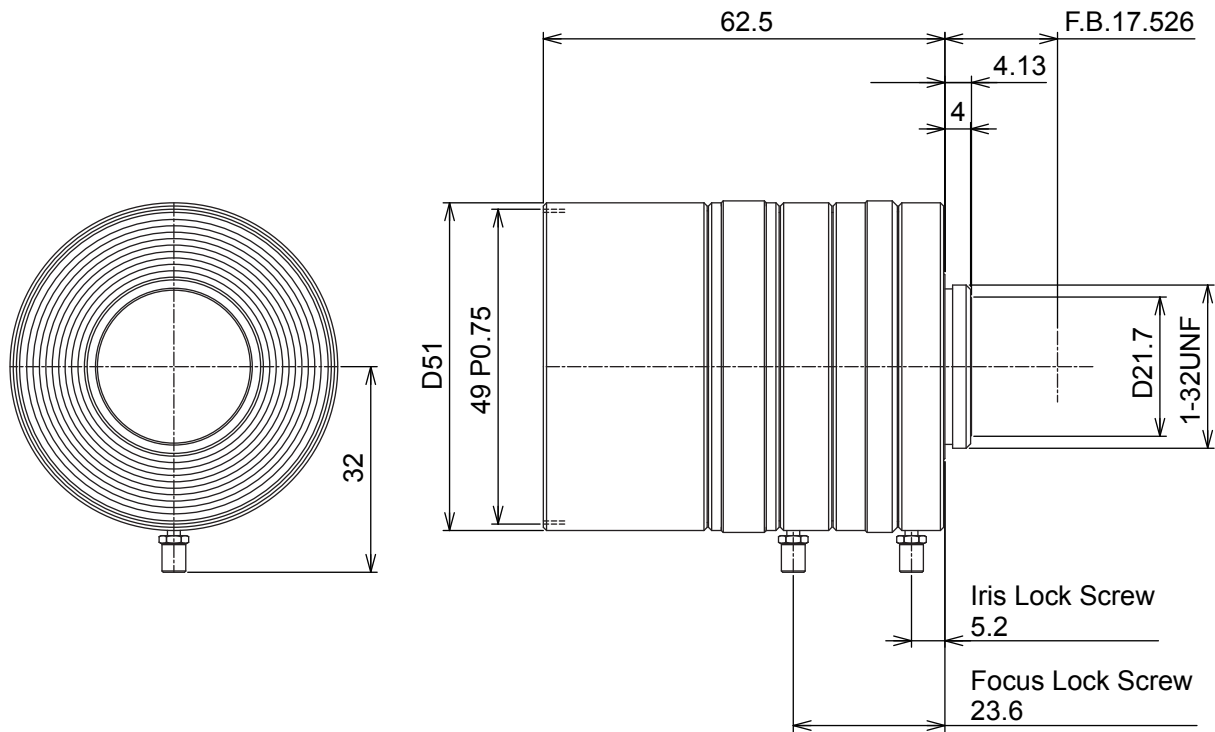
Optical Back Focal Distance : 14.038mm(In Air)
 Flange Back : 17.526mm
 Operation : Focus : Manual
 Iris : Manual
 Operating Temperature : -10~+50°C
 Mount : C-Mount(Adjustable Lens Position)
 Filter Size : 49mm P0.75
 Size : φ 51 × 62.5mm
 Weight : Approx.200 g

[COMPOSITION]

- Lens 1
- Lens Cap 1
- Dust Cap 1

[DIMENSIONS]

Wave(μ m)	Frang Back(mm)
0.9	17.642
1.1	17.810
1.3	18.017
1.5	18.262
1.7	18.544



Unit:mm