

# JHF35M-5MP SWIR

**【SPECIFICATIONS】** Applicable Fixed Lens to InGaAs Camera(900~1700nm)

Image Size: 2/3

Focal Length : 35mm  
 Maximum Relative Aperture : 1:1.4  
 Iris : F1.4~22  
 Angle of View : 14.3 × 10.8 deg  
 Image Size : 8.8 × 6.6mm (φ11mm)  
 Minimum Object Distance : 0.25m (From Front Vertex)  
 Resolution : Equivalent to VGA at 900~1700  
 Optics Distortion : -0.04% (at near)  
 0.07% (at far)  
 TV Distortion : -0.01% (at near)  
 0.03% (at far)

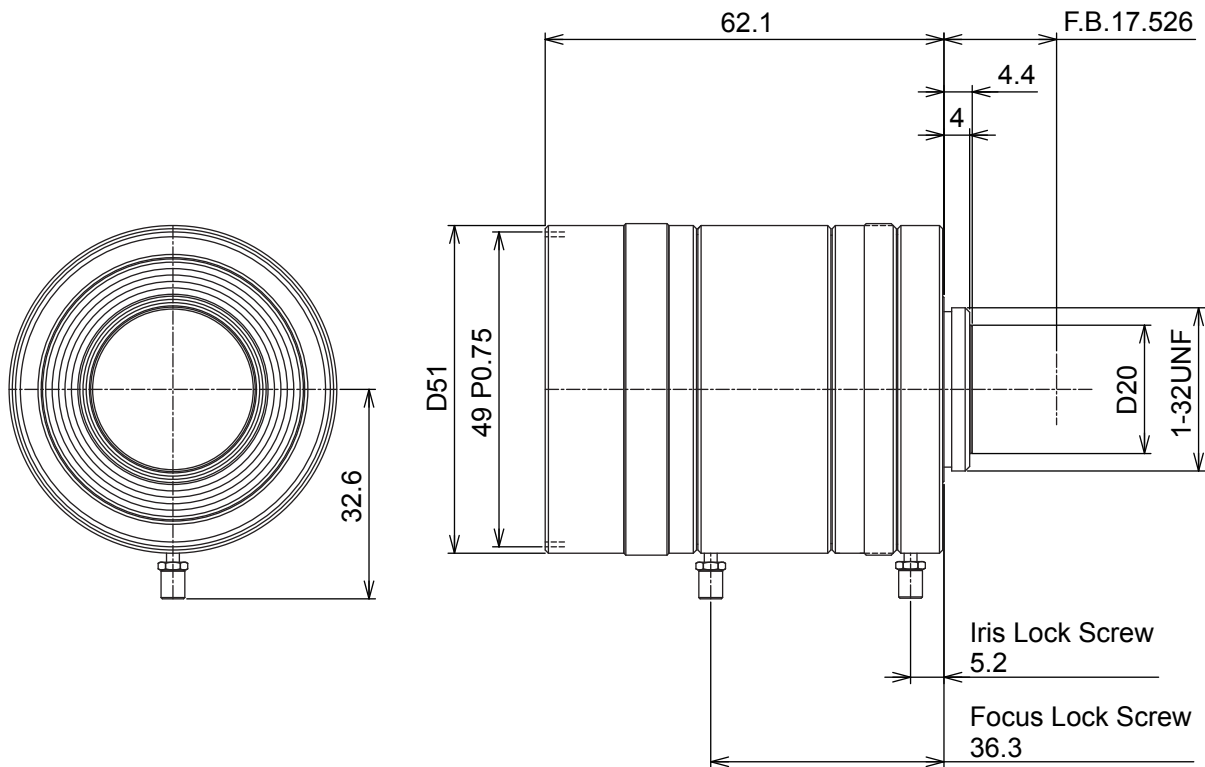
Optical Back Focal Distance : 14.027mm(In Air)  
 Flange Back : 17.526mm  
 Operation : Focus : Manual  
 Iris : Manual  
 Operating Temperature : -10~+50°C  
 Mount : C-Mount (Adjustable Lens Position)  
 Filter Size : 49mm P0.75  
 Size : φ51 × 62.1mm  
 Weight : Approx.230 g

**【COMPOSITION】**

- Lens . . . . . 1
- Lens Cap . . . . . 1
- Dust Cap . . . . . 1

**【DIMENSIONS】**

Wave(μm)	Flange Back(mm)
0.9	17.692
1.1	17.975
1.3	18.388
1.5	18.947
1.7	19.675



Unit:mm