

# JHF8M-5MP SWIR

**【SPECIFICATIONS】** Applicable Fixed Lens to InGaAs Camera(900~1700nm)

Image Size: (2/3)

Focal Length : 8mm  
 Maximum Relative Aperture : 1:2.8  
 Iris : F2.8~22  
 Angle of View : 57.9 × 45.0 deg  
 Image Size : 8.8 × 6.6mm (φ 11mm)  
 Minimum Object Distance : 0.1m (From Front Vertex)  
 Resolution : Equivalent to VGA at 900~1700  
 Optics Distortion : MAX -2.23% (at near)  
 -1.49% (at far)  
 TV Distortion : -0.44% (at near)  
 0.08% (at far)

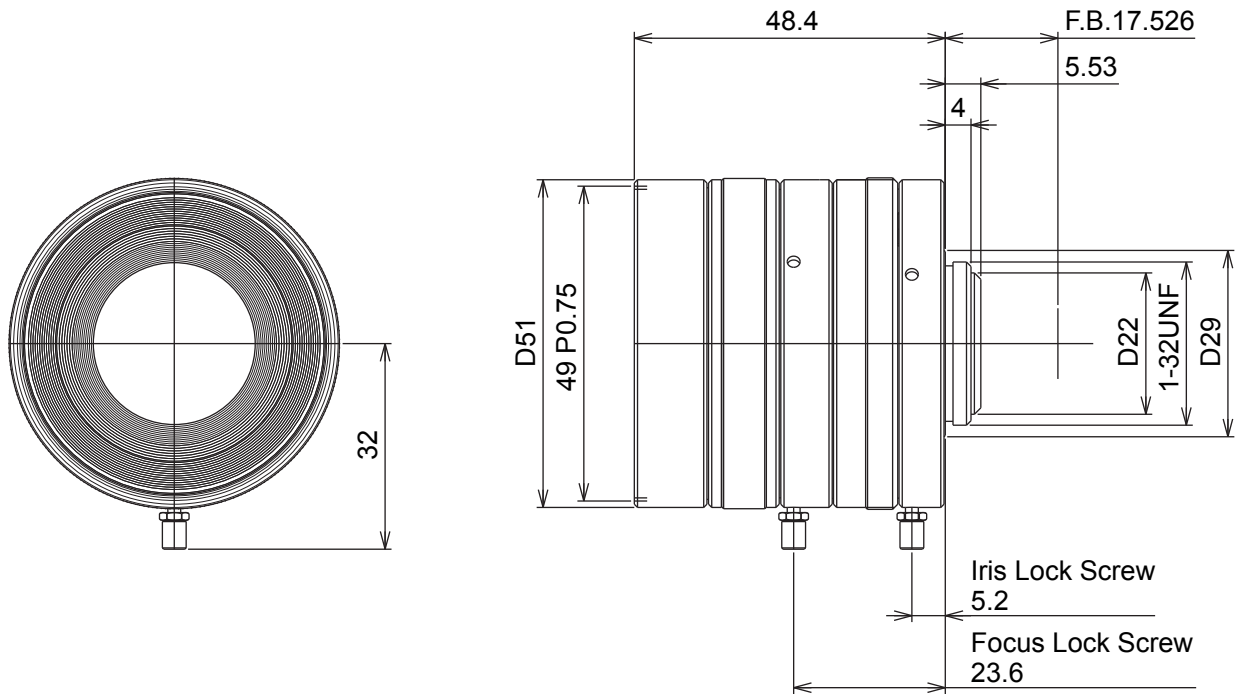
Optical Back Focal Distance : 12.40mm(In Air)  
 Frange Back : 17.526mm  
 Operation : Focus : Manual  
 Iris : Manual  
 Operating Temperature : -10~+50°C  
 Mount : C-Mount (Adjustable Lens Position)  
 Filter Size : 49mm P0.75  
 Size : φ 51 × 48.4mm  
 Weight : Approx.200g

**【COMPOSITION】**

- Lens . . . . . 1
- Lens Cap . . . . . 1
- Dust Cap . . . . . 1

**【DIMENSIONS】**

Wave(μ m)	Frange Back(mm)
0.9	17.617
1.1	17.779
1.3	18.018
1.5	18.345
1.7	18.773



Unit:mm