

# TZ6539AI

## 【SPECIFICATIONS】 6X Vari Zoom Lens

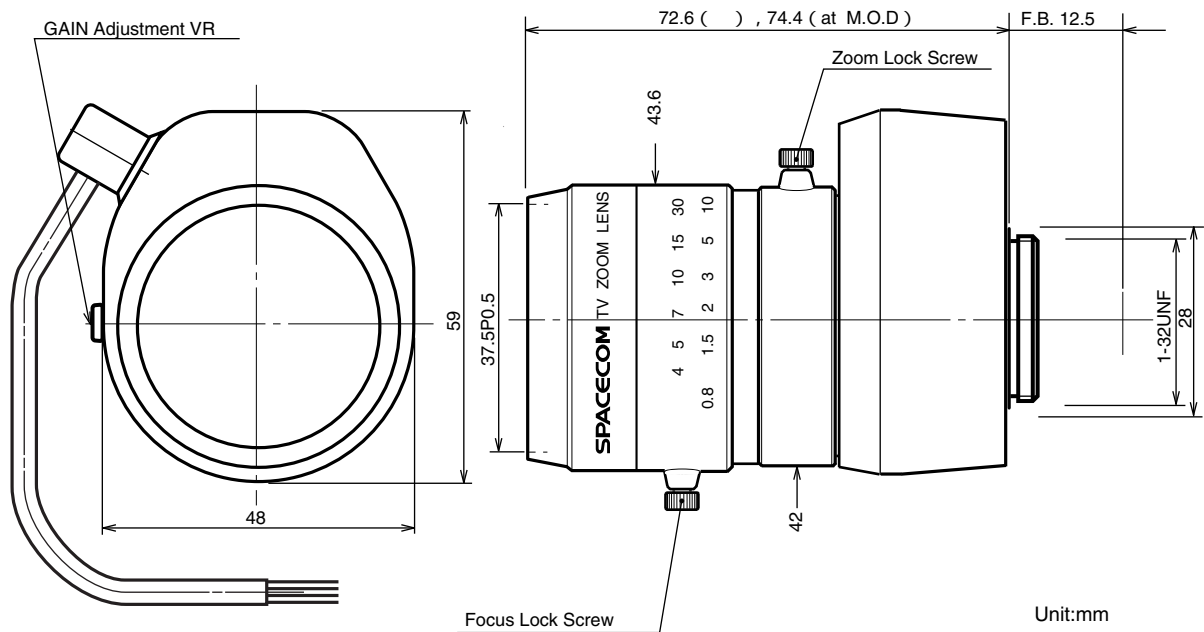
Image Size :  $\text{\textcircled{1/3}}$   $\text{\textcircled{1/4}}$

Focal Length :	6.5 ~ 39mm	Photometry Range :	Approx. 40 ~ 70% Variable to Vp-p
Maximum Relative Aperture :	1:1.4	Input Impedance :	High Impedance
Iris :	F1.4 ~ Approx .360 (With ND Spot Filter )	Operation :	Zoom : Manual Focus : Manual Iris : EE(DC+8 to 16V : Max40mA)
Angle of View :	40.5 × 31.0 deg. at 6.5mm 7.0 × 5.3 deg. at 39mm	EE Mechanism :	The built-in EE Amp amplifies the difference between the video signal from the camera and the preset Iris signal level. It causes the Iris to change size.
Image Size :	4.8 × 3.6mm ( 6mm )	EE Accuracy :	With Input Video Signal 0.7Vp-p Within ± 10% of Mean Value
Minimum Object Distance :	0.8m (From Front Vertex )	Operating Temperature :	-10 ~ +50
Optical Back Focal Distance :	11.85mm ( In Air )	Mount :	CS-Mount (Adjustable Lens Position )
Flange Back :	12.5mm	Size, Weight :	43.6 × 59 × 72.6mm , Approx .140 g
Input Signal :	Composite Video Signal , Video Signal		
Sensitivity Adjustment :	0.5 ~ 1.0Vp-p(Image Signal)		

## 【COMPOSITION】

- Lens . . . . . 1
- Lens Cap . . . . . 1
- Dust Cap . . . . . 1

## 【DIMENSIONS】



## 【CIRCUIT DIAGRAM】

