

VF50095M

【SPECIFICATIONS】 High-Speed megapixel-Lens F0.95

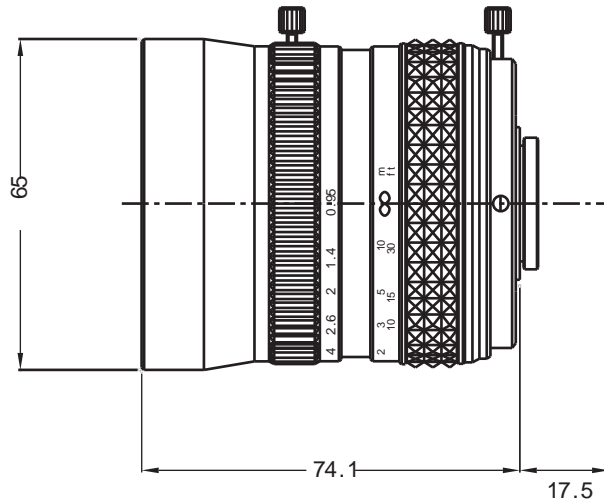
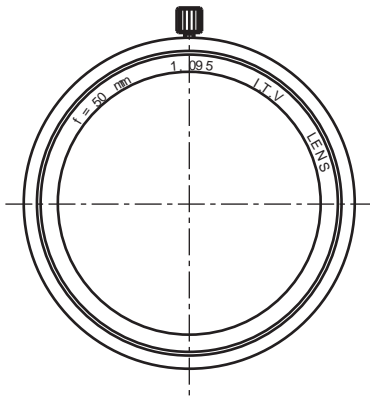
Image Size : (1)

Focal Length :	50mm	Optical Back Focal Distance :	25.62mm (In Air)
Maximum Relative Aperture :	1:0.95	Flange Back :	17.526mm
Iris :	F0.95 ~ 16	Operation :	Focus : Manual Iris : Manual
Angle of View :	14.6 × 11.0 deg	Operating Temperature :	-10 ~ +50
Image Size :	12.8 × 9.6mm (16mm)	Mount :	C-Mount
Minimum Object Distance :	0.6mm (From Front Vertex)	Filter Size :	62mm P0.75
Resolution :	5 μ m (at center) 8.4 μ m (at corner)	Size :	65 × 74.1mm
Distorsion :	+0.01%	Weight :	Approx. 470g

【COMPOSITION】

- Lens 1
- Lens Cap 1
- Dust Cap 1

【DIMENSIONS】



Unit:mm