

HV612M

【SPECIFICATIONS】

Image Size : $\text{\textcircled{1/2}}$ $\text{\textcircled{1/3}}$ $\text{\textcircled{1/4}}$

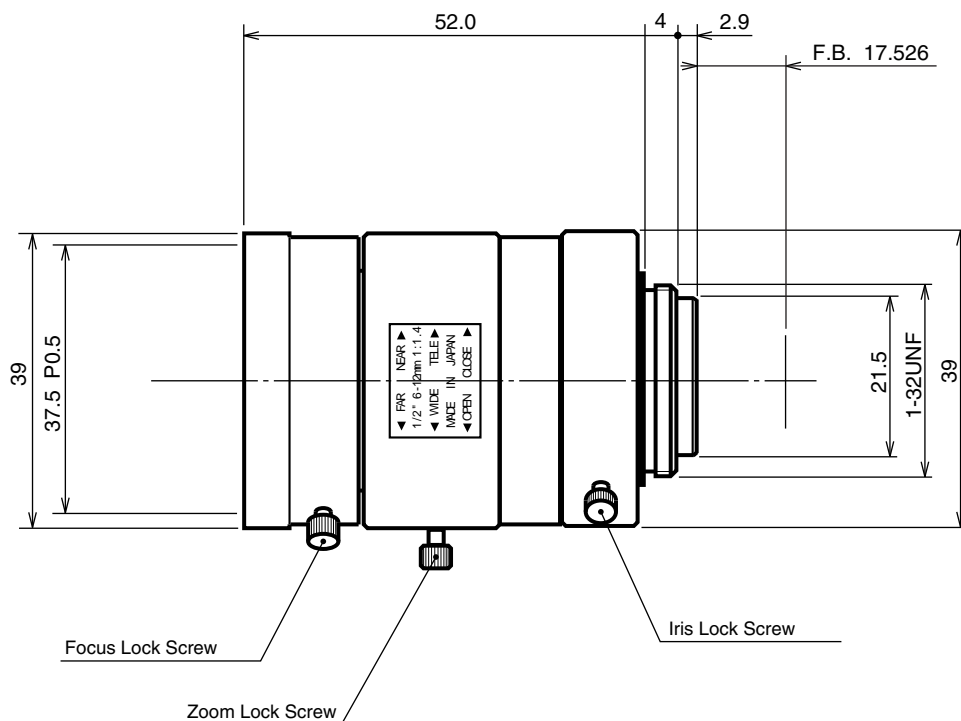
Focal Length : 6 ~ 12mm
 Maximum Relative Aperture : 1:1.4
 Iris : F1.4 ~ Close
 Zoom Ratio : 2X
 Angle of View : 56.1 × 43.6 deg. at 6mm
 29.9 × 22.6 deg. at 12mm
 Image Size : 6.4 × 4.8mm (8mm)
 Minimum Object Distance : 0.25m (From Front Vertex)

Optical Back Focal Distance : 11.0mm (In Air)
 Flange Back : 17.526mm
 Operation : Focus : Manual
 Zoom : Manual
 Iris : Manual
 Operating Temperature : -10 ~ +50
 Mount : C-Mount
 Filter Size : 37.5mm P0.5
 Size, Weight : 39 × 52.0mm, Approx .80 g

【COMPOSITION】

- Lens 1
- Lens Cap 1
- Dust Cap 1

【DIMENSIONS】



Unit:mm