

# VHF125M-MP

Image Size: 1 inch

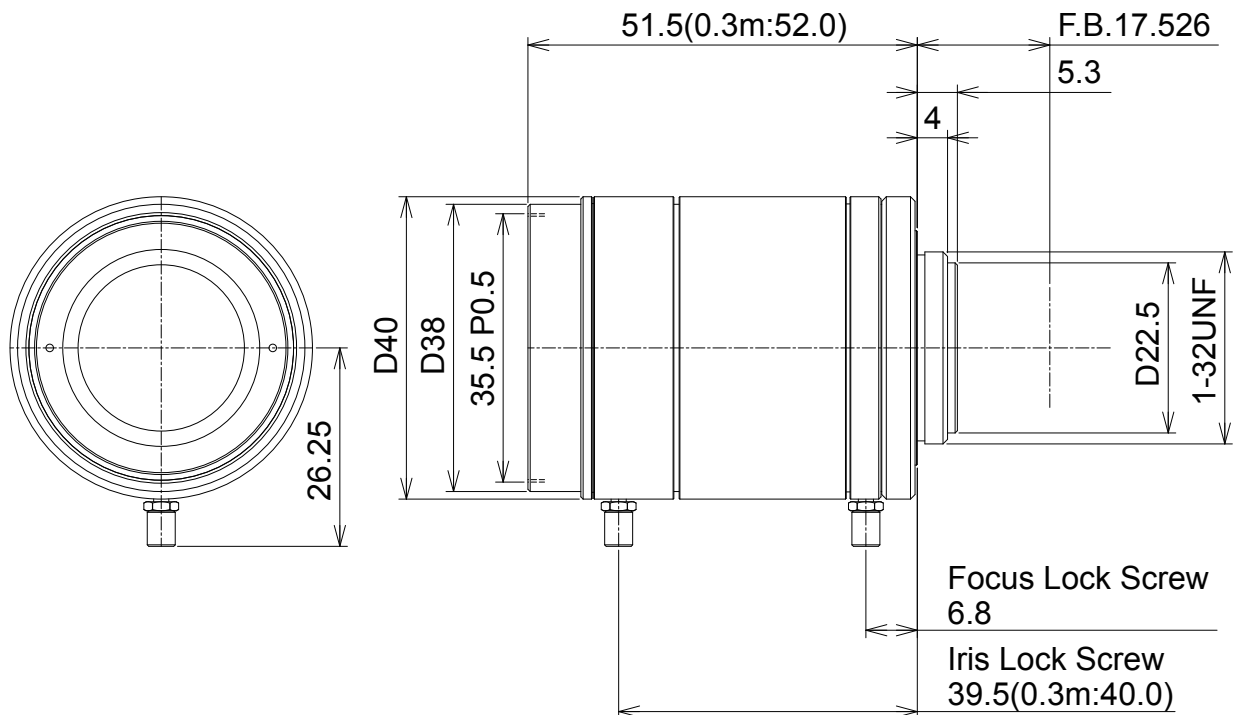
**【SPECIFICATIONS】** Megapixel Lens

Focal Length:	12.5mm	Optical Back Focal Distance:	13.5mm (In Air)
Maximum Relative Aperture:	1:1.4	Flange Back:	17.526mm
Iris:	F1.4~ 2.2	Operation:	Focus: Manual
Angle of View:	H55.7° × V42.7° (D67.8°)		Iris: Manual
Image Size:	12.8 × 9.8mm (1/3")	Operating Temperature:	-10 ~ +50
Minimum Object Distance:	0.3m (From Front Vertex)	Mount:	C-Mount
Resolution:	5.0μm	Filter Size:	35.5mm P0.5
Optical Distortion:	-5.4% (at near)	Size:	40 × 51.5mm
	-5.3% (at far)	Weight:	155g
TV Distortion:	-1.5% (at near)		
	-1.4% (at far)		

**【COMPOSITION】**

- Lens.....1
- Spanner.....1
- Lens Cap.....1
- Dust Cap.....1

**【DIMENSIONS】**



Unit:mm