

# VHF25M -MP

Image Size: 1.1 inch, 1 inch

**【SPECIFICATIONS】** Megapixel-Lens

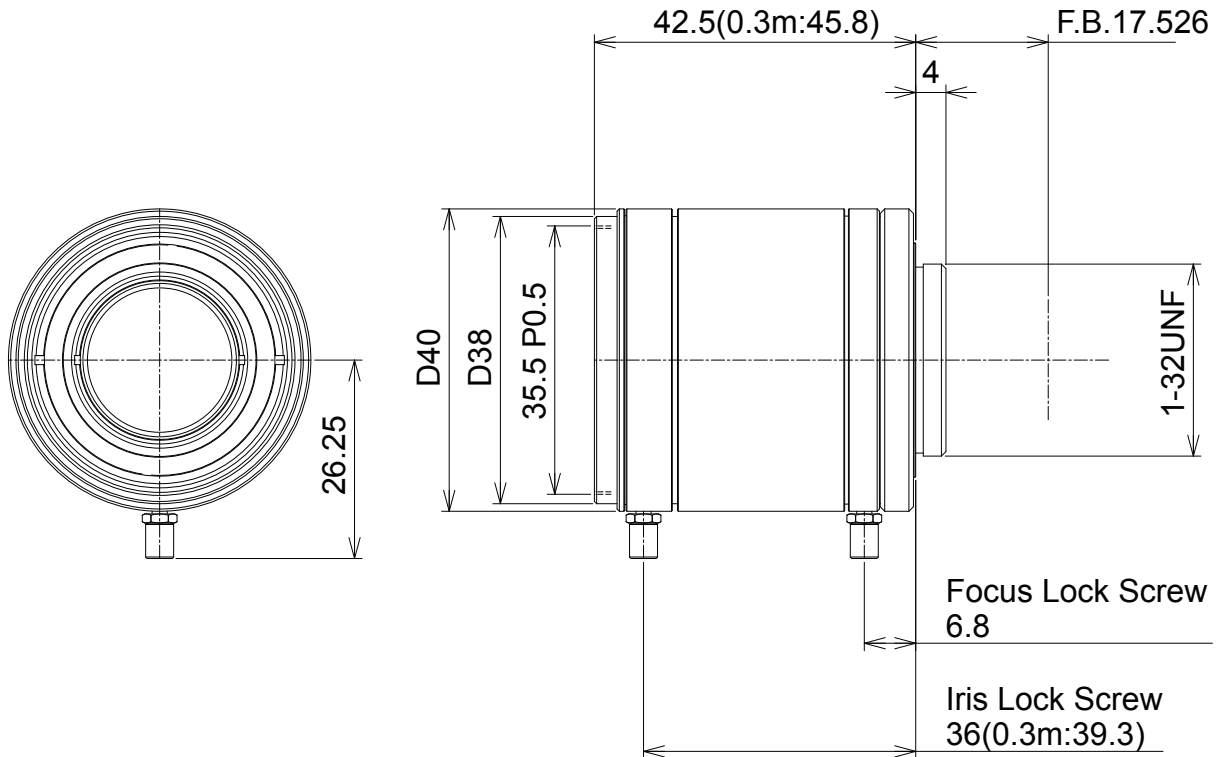
Focal Length:	25mm
Maximum Relative Aperture:	1:1.4
Iris:	F1.4~ 22
Angle of View:	H29.0° × V21.9° (D36.1° ) H31.9° × V24.1° (D39.6° )
Image Size:	12.8 × 9.6mm ( 16mm ) [14.1 × 10.6mm ( 17.6mm )
Minimum Object Distance:	0.3m (From Front Vertex)
Resolution:	35μ m
Optical Distortion:	-2.2% [-2.7% ] (at near) -1.8% [-2.1% ] (at far)
TV Distortion:	-0.7% [-0.8% ] (at near) -0.5% [-0.8% ] (at far) [Value at 1.1" ]

Optical Back Focal Distance:	16.6mm ( In Air )
Flange Back:	17.526mm
Operation:	Focus: Manual Iris: Manual
Operating Temperature:	-10 ~ +50
Mount:	C-Mount
Filter Size:	35.5mm P0.5
Size:	40 × 42.5mm
Weight:	119g

**【COMPOSITION】**

- Lens.....1
- Spanner.....1
- Lens Cap.....1
- Dust Cap.....1

**【DIMENSIONS】**



Unit:mm